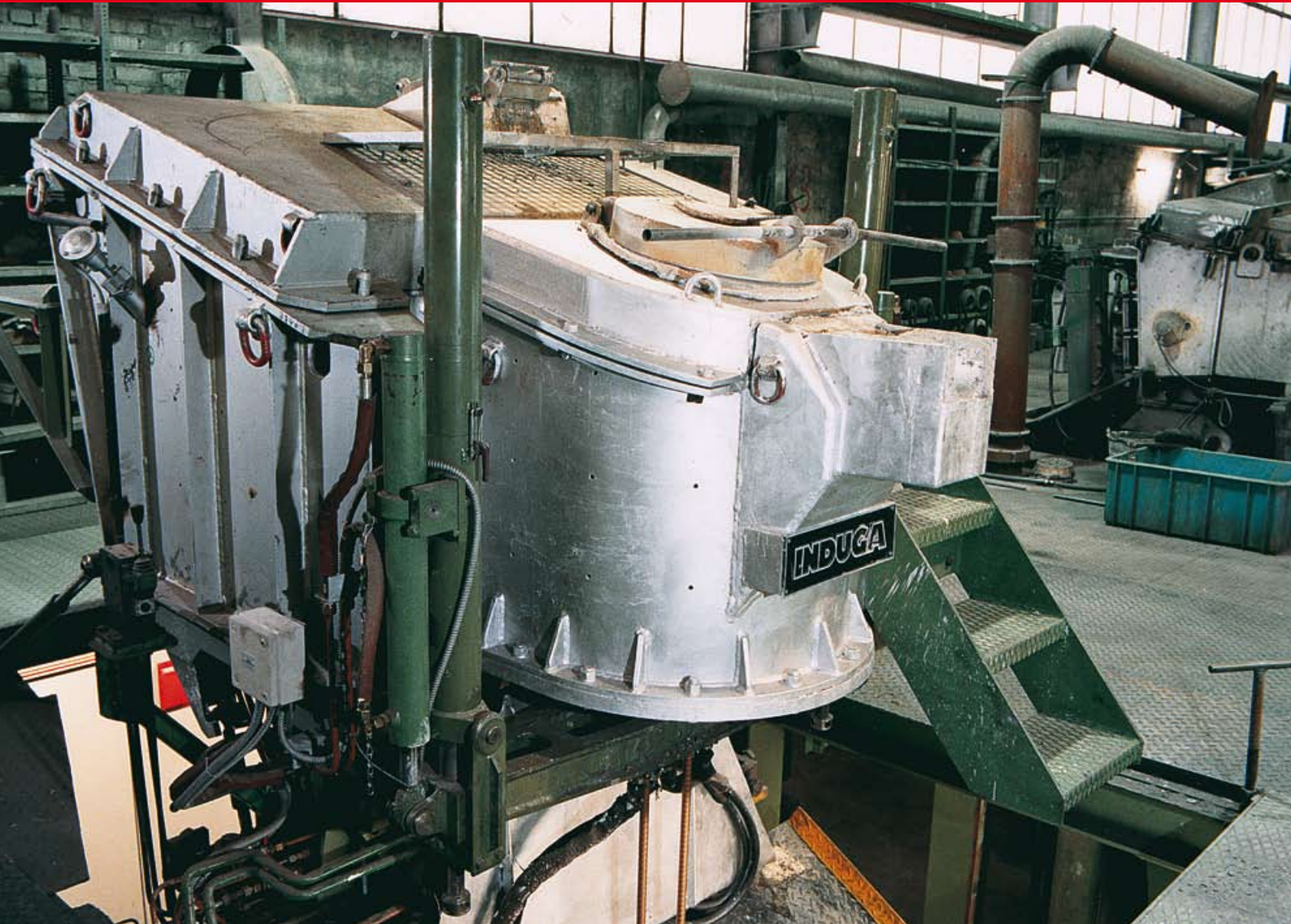


# INDUGA

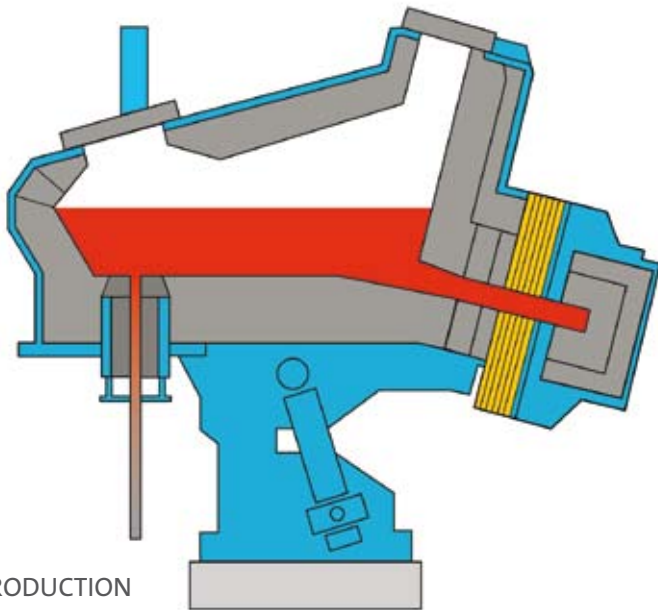
## Casting furnace for tubes & bars for vertical continuous casting



The production of thin-walled tubes and profiles with high-precision tolerances demands not only highly developed continuous casting technology, but also a casting furnace with exact temperature control and engineering matched to the requirements of the casting process. Provisions for easy and rapid coupling the mould directly to the furnace are especially important in this connection.

[www.induga.com](http://www.induga.com)

## Casting furnace with integral mould



PRODUCTION

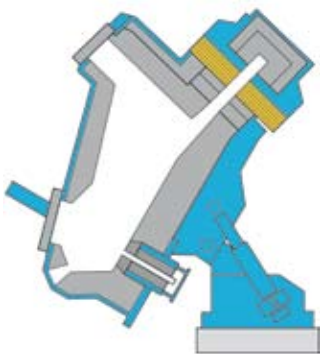
The furnace consists of a main chamber with a flanged-on channel inductor and integrated in the front the hydraulically coupled casting mould. Optimum furnace geometry ensures a constant metal temperature at the mould entrance.

This furnace offers the following outstanding attributes:

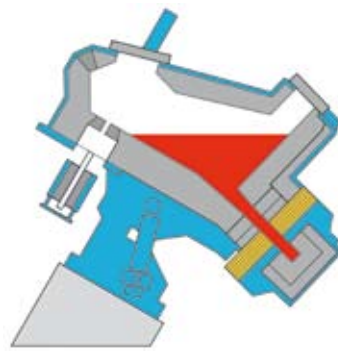
- Very quick mould and format changes
- Hydraulic direct mould coupling
- Hydraulic control for three furnace positions: production, mould changing and discharge
- Encapsulation against air penetration to minimize losses
- Special furnace concept reduces power consumption
- Good metal exchange between receiver and main chamber thanks to ideal inductor position
- Simple furnace maintenance
- High-precision temperature control

### Technical data

Design	Main chamber with flanged-on receiver and channel inductor
Metal discharge	continuous via furnace brick/moulds
Heating capacity	70 - 150 kW
Melt capacity	1 - 2 t
Metals	continuous via furnace brick/moulds
Application	Vertical continuous casting of precision tubes, profiles, shaped bars and wire rod



FURNACE DISCHARGE



MOULD CHANGING

INDUGA designs and supplies

- Channel-type induction furnaces for melting, holding and casting
- Coreless induction furnaces for special applications
- Coating pots for steel strip and pieces
- Low-pressure casting machines
- Plasma systems
- Complete plants

**Individual solutions are our speciality!**

**INDUGA GmbH & Co. KG**

Jägerhausstr. 2  
DE-52152 Simmerath, Germany  
Telephone +49 2473 6017 10  
Telefax +49 2473 6017 77  
E-Mail info@induga.de  
www.induga.com

A company of **OTTO JUNKER** GmbH.